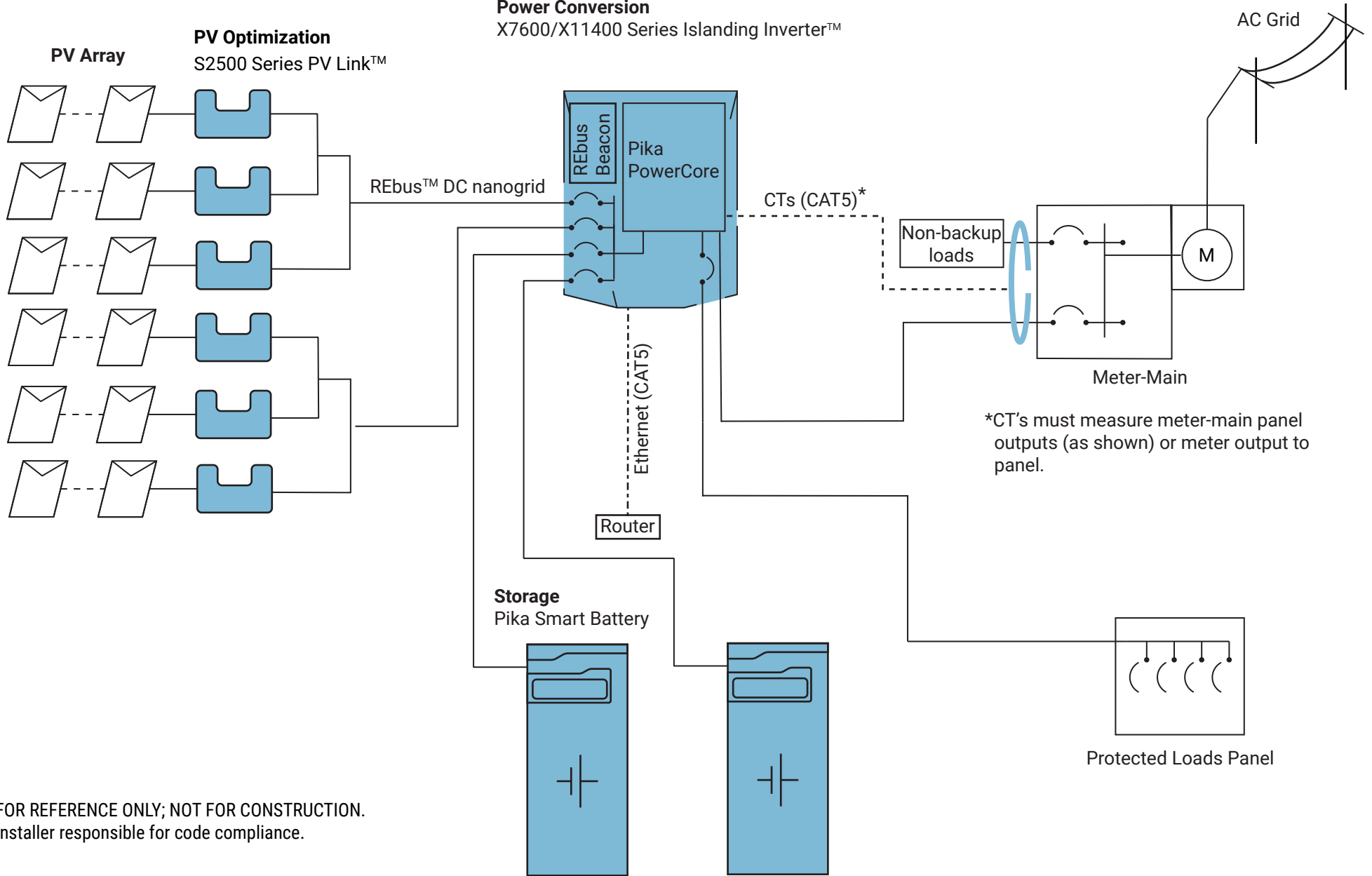


**Power Conversion**  
X7600/X11400 Series Islanding Inverter™



FOR REFERENCE ONLY; NOT FOR CONSTRUCTION.  
Installer responsible for code compliance.

Published: 03/20/19

This design shows a Pika Energy Island with a Protected Loads Panel to provide backup power (12 kW surge, 8 kW continuous) connected via a meter-main. CT's shown are used to measure utility supply. They must measure all outputs of the meter-main or measure between meter and panel. This configuration is acceptable with most 200A residential services.

**Meter-Main / Solar + Storage [2416-01]**

- 6 PV Links
- 1 REbus Beacon
- 1 Islanding Inverter
- 1 CT Kit
- 2 Pika Smart Batteries

