

RSD-S-PLC

- Meets NEC 2017 (690.12) requirements
- Executes rapid shutdown of system when Transmitter signal is absent
- Meets SunSpec requirements

RSD-S-PLC Technical Data

Model

RSD-S-PLC

Input Data (DC)

Input operating Voltage Range

8-80V

Maximum Cont. Input Current (Imax)

15A

Maximum Input Power

800W

Output Data (DC)

Output operating Voltage Range

8-80V

Output Power Range

0-800W

Maximum System Voltage

1000V/1500V

Mechanical Data

Operating Ambient Temperature Range

-40°C to +85°C (-40°F to +185°F)

Dimensions (Without Cable & Connectors)

5"x1.2"x0.6" (129mm x 30mm x 16mm)

Cable length

Input 250mm/Output 1200mm or Customize

Module Connector

MC4 Compatible or Customize

Enclosure Rating

Type 6P / IP68

Overtemperature protection

Yes

Features & Compliance

Communication

PLC

Safety Compliance

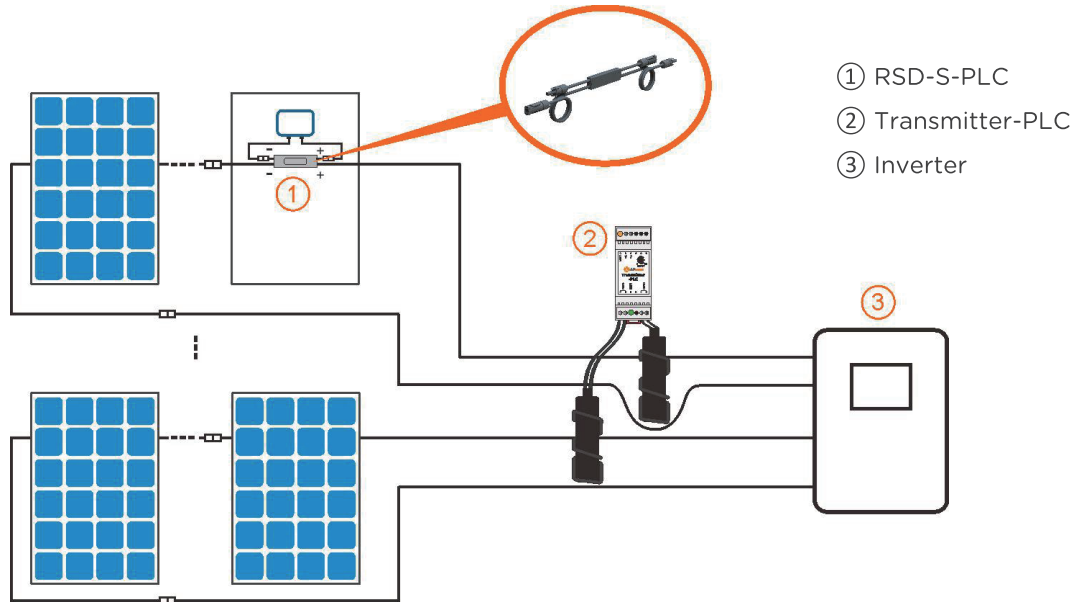
NEC 2017 (690.12); UL1741; CSA C22.2 No.330-17; IEC/EN62109-1; 2PFG2305

EMC Compliance

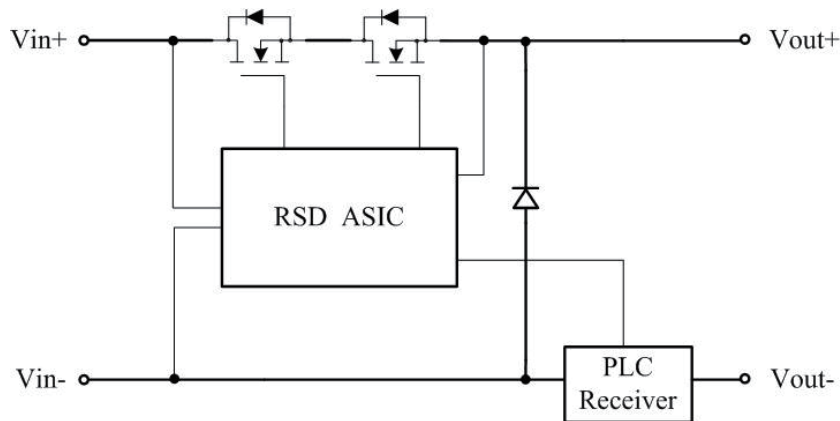
FCC Part15; ICES-003; IEC/EN62109-1/-2/-3/-4

RSD-S-PLC meets SunSpec requirements, maintaining normal function by continually receiving a heart-beat signal from the APsmart Transmitter. The RSD executes rapid system shutdown when Transmitter signal is absent. Users can manually execute rapid shutdown using Transmitter breaker switch.

RSD-S-PLC Wiring Diagram



Working Schematic Diagram



ORDERING INFORMATION

405001	1000V UL/TUV, 1.2m cable, MC4 compatible, Mounting brackets
405002	1000V UL/TUV, 1.2m cable, MC4, Mounting brackets
405003	1500V UL/TUV, 1.2m cable, MC4-Evo2, Mounting brackets